

## FAAST LT Stand Alone Model

### Overview

#### Features

- Configurable sensitivity - 9 levels from 0.06% to 6% obs/m
- Multiple event logging up to 2240 events
- Programmable alarm thresholds
- Ultrasonic airflow sensing
- A single device covers up to 2000m<sup>2</sup> (2 channel detector with 2x80m pipes with 9 holes per pipe in Class C)
- Particulate graph displays subtle environmental changes for early problem indication
- PipeIQ™LT software provides intuitive system layout and configuration all in one package
- User friendly air flow pendulum graph for verification of pipe network functionality
- Protected electronics from air flow and accidental damage during installation or maintenance
- Easily replaceable and reusable filter without affecting the rest of the device
- Designed for efficient wiring and installation: cable gland holes, easy access to the wiring area and no special tools required.
- Easy access to parts requiring routine maintenance: filter(s) or sensor(s).
- Single & Dual channel versions with independent channels including fan, sensor and flow monitoring
- IP65 enclosure



### Description

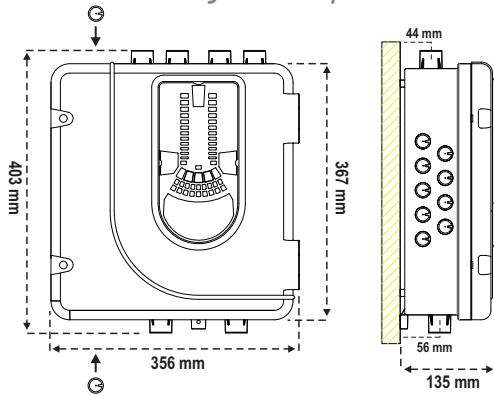
The FAAST LT Aspirating Smoke Detector is designed with the installer and end user in mind. It serves the wide variety of Class C applications where maintenance is difficult, other smoke detection methods are inappropriate or prone to fail due to harsh environments or areas where aesthetics matters. It is also suitable for smaller mission critical applications where very early warning - Class A or B detection is required.

FAAST LT combines proven aspiration detection technologies to deliver reliable smoke detection and efficient installation and maintenance. The device includes high sensitivity laser fire detection, ultrasonic flow sensors, and internal design features to protect vulnerable components from environmental and human threats. The device is fast to install and easy to commission thanks to PIPE IQ LT pipe design and configuration software which is included as standard.

FAAST LT stand alone devices are available as single channel and dual channel devices, offering flexibility for different detection strategies. A range of customisable settings are geared towards maximising device performance and meeting different application needs.

The detector provides alarm, pre-alarm and fault relays with auxiliary events relay as an option. These can be set as latched or non-latched. To accommodate local installation standards or environments, flow and general fault delays can also be set. Day/Night/Weekend mode enables technicians to pre-set alarm thresholds based on routine changes in the environment's usage.

## Architect/Engineer Specifications

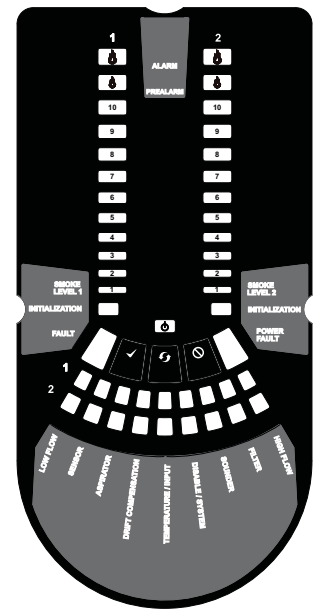


## User Interface Display

The front panel will be different depending on which of the 3 stand alone models is being installed.

The following information is displayed

- Alarm level; Alarm, Pre-Alarm
- Particulate Levels; 1-9
- Fault Status
- Flow Level
- Test, Reset and Disable Buttons



## Physical Specification

|   |  |
|---|--|
| Height  | 403mm (including inlets and outlets)   |
| Width   | 356mm  |
| Depth   | 135mm  |
| Cable Access                                  | Knock out cable gland holes  |
| Wire Gauge                                    | 0.5mm <sup>2</sup> to 2mm <sup>2</sup> max   |
| Maximum Single Pipe Length                    | 100m   |
| Maximum Branched (2) Pipe Length              | 100m   |
| Maximum Air Inlet Holes                       | 18   |
| Outside Pipe Diameter                         | 25mm or 27mm   |
| Internal Pipe Diameter                        | 15-21mm  |
| Sensitivity Range                             | 0.06%- 6% obs/m  |
| Relays  | 3 (1 Alarm, 1 Fault, 1 Pre-Alarm) x per Channel  |
| Sounder outputs                               | 1 per channel  |
| Event Log                                     | 2244 Events  |
| Interfaces                                    | Terminal blocks: power supply, relays, sounder outputs, external input; USB port; Buttons (Test, Reset, Disable) |
| Power supply and relays connections           | 2mm <sup>2</sup> max   |
| USB   | Standard USB cable for Type B USB connection   |
| Shipping Weight- Including packaging material | 6.5 Kg ( dual channel)   |
| Flow monitoring and reporting                 | High and low according to EN54-20  |
| Filtration                                    | Replaceable filter   |
| Fan control                                   | 10 programmable speeds   |

## Customer Services

Life Safety Distribution AG  
 Javastrasse 2  
 8604 Hegnau  
 Switzerland  
 0800 587 5675  
 Tel: +41 44 943 4400  
 orders@systemsensor.com

## Technical Services

Tel: +44 (0) 1444 238820  
 Fax: +44 (0) 1444 248123  
 sse.technical@systemsensor.com

## Electrical Specifications

|                                |                                     |
|--------------------------------|-------------------------------------|
| Smoke Sensor (s)               | Optical laser point type            |
| External Supply Voltage        | 18.5-31.5 V                         |
| Remote Reset Time              | 1s                                  |
| Power Reset                    | 0.5s                                |
| Avg. Operating Current         | 200mA @ 24 VDC (excluding sounders) |
| Max. Average Operating Current | 500mA @ 24 VDC (excluding sounders) |
| Relay Contact Ratings          | 2.0 A @ 30 VDC, 0.5 A @ 30 VAC      |

## Environmental Specifications

|                       |                             |
|-----------------------|-----------------------------|
| Operating Temperature | -10°C to 55°C               |
| Humidity Range        | 10% to 93% (non condensing) |
| IP Rating             | 65                          |
| Coverage Area         | up to 2000m <sup>2</sup>    |

## Sensitivity Levels

|         |              |         |             |
|---------|--------------|---------|-------------|
| Level 1 | 0.06 % obs/m | Level 6 | 1.50% obs/m |
| Level 2 | 0.09 % obs/m | Level 7 | 3.00% obs/m |
| Level 3 | 0.15% obs/m  | Level 8 | 4.50% obs/m |
| Level 4 | 0.30% obs/m  | Level 9 | 6.00% obs/m |
| Level 5 | 0.60% obs/m  |         |             |

## Ordering Information

| Part No. | Description                              |
|----------|--|
| FL0122E  | Stand Alone Dual Channel Detector        |
| FL0112E  | Stand Alone Single Channel Dual Detector |
| FL0111E  | Stand Alone Single Channel Detector      |

## Accessories

|                   |  |
|-------------------|--|
| F-LT-EB           | Earth Bar                                  |
| FL-IF-6           | FAAST LT Integral Filter (6 filters)       |
| Pipe and Fittings | Please see Aspiration Accessories Brochure |

## Listings and Approvals

|                           |                    |
|---------------------------|--------------------|
| CPD                       |                    |
| LPCB                      |                    |
| EN54-20: (holes per pipe) | Class A – 3 holes  |
|                           | Class B – 6 holes  |
|                           | Class C - 18 holes |